

Baoji Xinlian Titanium Industry Co.,Ltd is one of the leading China titanium flat washers manufacturers and suppliers, and also a professional company equipped with factory, welcome to wholesale titanium flat washers, titanium plain washer,titanium gasket from us.

**Titanium Flat Washers**

Standard: DIN125

Material: Pure titanium,Titanium alloy

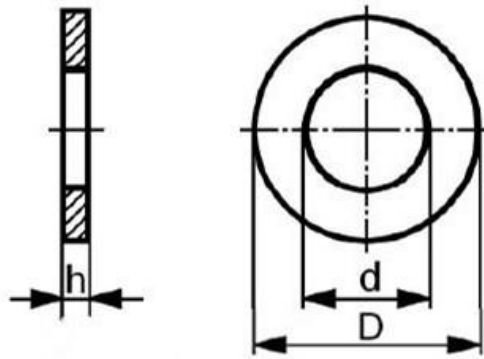
Grade: Gr1,Gr2,Gr5(Ti6al4v),Gr7,Gr9

Specification: M3-M30

Surface Treatment: Polishing,Anodizing, Nitriding

Color: Ti nature,Gold,Blue,Green,Purple,Black,Rainbow

**DIN125  
Flat Washer**



Unit: mm

Nominal Diameter	d		D		Nominal	h	
	max	min	max	min		max	min
3	3.38	3.2	7	6.64	0.5	0.55	0.45
4	4.48	4.3	9	8.64	0.8	0.9	0.7
5	5.48	5.3	10	9.64	1	1.1	0.9
6	6.62	6.4	12	11.57	1.6	1.8	1.4
8	8.62	8.4	16	15.57	1.6	1.8	1.4
10	10.77	10.5	20	19.48	2	2.2	1.8
12	13.27	13	24	27.48	2.5	2.7	2.3
14	15.27	15	28	27.48	2.5	2.7	2.3
16	17.27	17	30	29.48	3	3.3	2.7
18	19.33	19	34	33.38	3	3.3	2.7
20	21.33	21	37	36.38	3	3.3	2.7