

Baoji Xinlian Titanium Industry Co.,Ltd is one of the leading China titanium prevailing torque type hex flange nuts,titanium black nylon locking hex flange nuts with black nylon insert manufacturers and suppliers, and also a professional company equipped with factory, welcome to wholesale titanium prevailing torque type hex flange nuts with black nylon insert, titanium black nylon locking hex flange nuts from us.

Titanium Prevailing Torque Type Hex Flange Nuts With Black Nylon Insert

Titanium Black Nylon Locking Hex Flange Nuts

Material: Pure titanium,Titanium alloy

Grade: Gr1,Gr2,Gr5(Ti6al4v),Gr7,Gr9

Standard:DIN6926

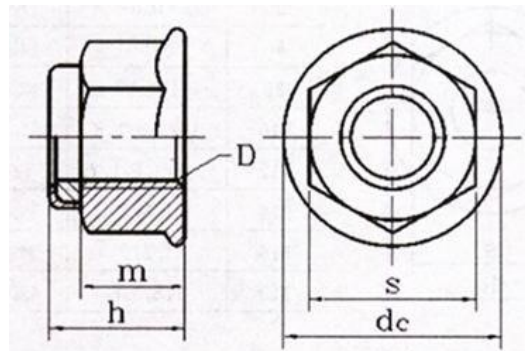
Specification: M5-M30

Surface Treatment: Polishing,Anodizing, Nitriding

Color: Ti nature,Gold,Blue,Green,Purple,Black,Rainbow

DIN6926-1983

Prevailing torque type hexagon nuts with flange and with nonmetallic insert



Unit: mm

Nominal Diameter D	Pitch P	dc	h		m	s	
		max	max	min	min	max	min
M5	0.8	11.8	7.1	6.74	4.7	8	7.78
M6	1	14.2	9.1	8.74	5.7	10	9.78
M8	1/1.25	17.9	11.1	10.67	7.6	13	12.73
M10	1/1.25/1.5	21.8	13.5	13.07	9.6	15	14.73
M12	1.25/1.5/1.75	26	16.1	15.67	11.6	18	17.73
M14	1.5/2	29.9	18.2	17.68	13.3	21	20.67
M16	1.5/2	34.5	20.3	19.46	15.3	24	23.67
M20	1.5/2.5	42.8	24.8	23.96	18.9	30	29.16